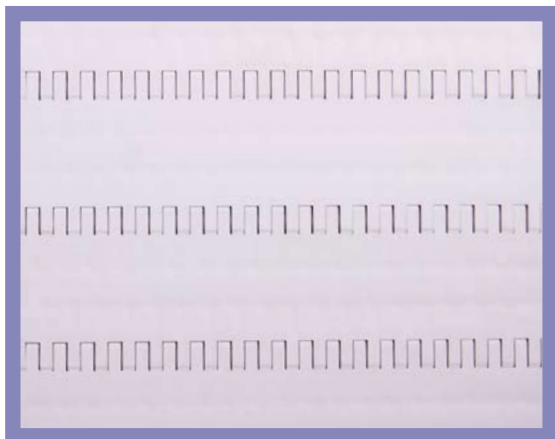


# 50-608

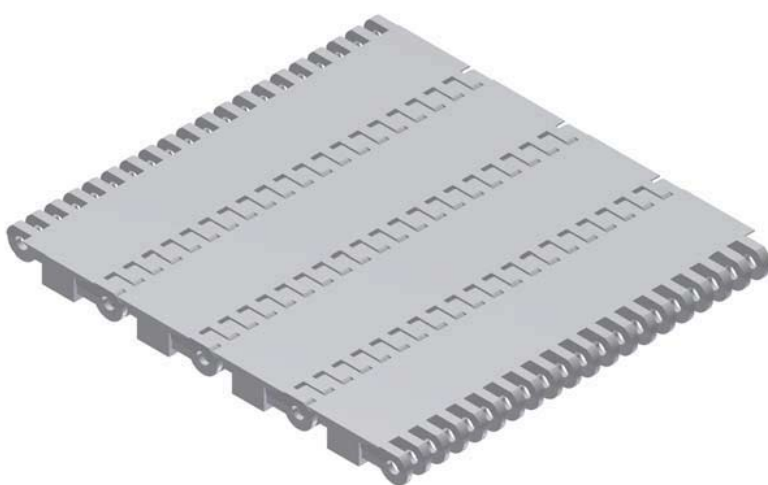


- ➔ Belt surface: Flat top.
- ➔ Open area: Closed.
- ➔ Strength: The right belt for medium-heavy transportation.
- ➔ Material/colour: PE, PP, POM.
- ➔ Accessories: 25, 50, 75 and 100 mm high flights.  
50, 75, 100 and 150 mm side guards.
- ➔ Application: Dairy, vegetables, poultry, snack food, sweet goods and other industries that handle small products.

### HUB SPECIFICATION

	Number of teeth			
	6Z	8Z	10Z	12Z
Round bore (mm)	25ø	25ø	30ø	30ø
	30ø	30ø	30ø	40ø
	40ø	40ø	40ø	50ø
Square bore (mm)	38.1x38.1	38.1x38.1	38.1x38.1	
	40x40	40x40	40x40 60x60	40x40 60x60

bore available in inch size

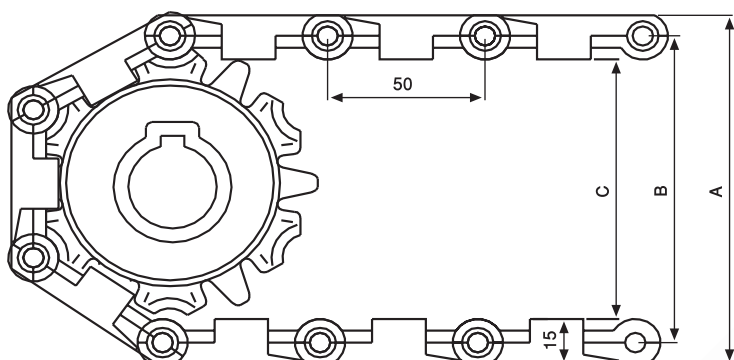


### BELT DATA

Materials	Max. belt pull kg/m of width	Belt weight kg/m <sup>2</sup>
Polyethylene (PE)	1790	7
Polypropylene (PP)	2400	7
Polyacetal (POM)	3600	11

### SPROCKET DATA

No. of teeth Z	A=Outside diameter (mm)	B=Pitch diameter (mm)	C=Inside diameter (mm)	Sprocket width (mm)
6	117	101	85	30
8	149	133	117	36
10	180	164	148	39
12	211	195	179	39



1:1

